

Locke Bowden, P.E.
 9450 Alysbury Place
 Montgomery, AL 36117

Spilker Metal Roofing and Sheet Metal
 130 N. Plumosa
 Merritt Island, Florida 32953

FL 4953

Quality Assurance Program: PRI/CMT Category: Roofing Sub-Category: Metal Roofing Method 1-D
 Code: FBC 2017 6th ed. Sections: 1504.3.2, 1506.6, 1507, 1518, 1523

Description	Substrate	Design Uplift Pressure*	Fasteners
1" Nailstrip Panel 24 GA 16" width over 15/32" plywood Non Structural Non-HVHZ	Thru fastened into min. 15/32" APA plywood decking over supports with max. spacing 24" o.c. Underlayment to be compliant- current FBC 2017 6 th Edition, Chart 1507.1.1.	-59.75psf* Panel slot fastening: 16" o.c. -101.0psf* Panel slot fastening 6-3/4" o.c. -153.5psf* Panel slot fastening:6-3/4 " o.c.@12" o.c. Panel Pan fastening 6-3/4" @12" o.c.	3/4" male rib-slotted nail strip snap lock Corrosion resistant : thru panel slot (1) #10-13 GP Pancake Type A In Panel slot (2) #10-11 eclipse head Type A in the Panel Pan #10-12 Type A PH @ 6-3/4" o.c. (see details) 1/4" min. penetration through plywood
1.5 Snap Lock 24GA 16" width over 15/32" plywood Non Structural HVHZ	15/32" APA Sealed plywood at joints exist construction; 19/32" APA plywood for HVHZ new construction fastened to joists supports max. 24" o.c. spacing. Underlayment to be compliant - current Florida Building Code 2017 6 th Edition, Chart 1507.1.1.	-86.0psf @24" o.c. -108.5 @12" o.c. -116.0 @6" o.c *	1.5"rib height Standing seam snap lock with clips Corrosion resistant : <u>Fastener:</u> #12-11 Pancake Head Type A in panel slot <u>Clips:</u> 1500SNS, 1-1/2" sliding clip assembly. 2 fasteners per clip. Fixed slider 18GA 3-1/2" long 24 GA Panel:1/4" min penetration through plywood Install per manufacturers details and RAS 133 for compliance with FBC 2017 6 th ed.
1.5 Snap Lock .032 ALUM 16" coverage Non Structural Non-HVHZ	15/32" APA span rated plywood fastened to wood joists (joists max 24" o.c.) Plywood Fastened w/ #8x2" wood screws spaced 6" o.c. Underlayment to be compliant - current Florida Building Code 2017 6 th Edition, Chart 1507.1.1.	-45psf @16" o.c. -52psf @ 6 " o.c.	1.5"Rib height Standing seam Snap lock With clips Corrosion resistant: # 12-11 Pancake Head Clips: 18GA stainless steel clip (1.5x3.5") 2 fasteners per clip. ALUM Panel: Fasteners to penetrate through deck min. 1/4" TiteBond™ WeatherMaster Sealant applied to backside of the male portion of seam, after clips installed, or equivalent.

*Design Pressures includes margin of safety factor-2:1

Metal Forming gives permission for use of testing to this manufacturer.



References

Entity	Report #	Standard	Year
Force Engineering & Testing (TST-5328)	#72-0313T-06	TAS 125-03: UL 580-94 ¹ /1897-98 ²)	(2006 ¹ /2012 ²)
Farabaugh Engineering & Testing (TST-1654)	#T157-07	TAS 100-1995	
PRI Construction Material Technologies (TST5878)	#VLS-004-02-01	TAS 110-00(ASTM G 155 /ASTM B 117)	
	#VLS-005-02-01	TAS 110-00(ASTM G 155 /ASTM B 117)	
Force Engineering & Testing (TST-5328)	#72-0108T-07	TAS 125-03: UL 580-94 ¹ /1897-98 ²)	(2006 ¹ /2012 ²)
Farabaugh Engineering & Testing (TST-1654)	#T107-07	TAS 100-1995	
PRI Construction Material Technologies (TST5878)	#FAE-009-02-01	UL 580-06 and UL 1897-12	

1. *The UL580-94 test standards are equivalent to the UL580-06 test standard.*
2. *The UL1897-98, 04 test standards are equivalent to the UL1897-12 test standard.*

Limitations:

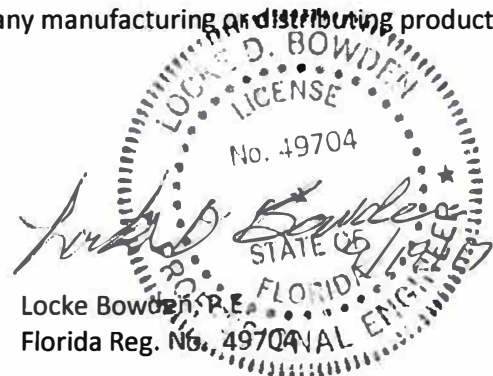
1. Underlayment to be compliance with current Florida Building Code 2017 6th Edition, Chart 1507.1.1.
2. Minimum slope to be in compliance with Florida Building Code 2017, and in accordance with Manufacturer's installation reference herein this report.
3. Products are compliant for State of Florida product approval per Rule 61G20-3
4. Fire classification is not part of this acceptance.
5. Shear diaphragm values are outside this report.
6. All support framing to be in compliant w/Florida Building Code 2017, Chapter 23 Wood and Chapter 16 Structural Loading.
7. This report does not imply warranty, installation, recommended product use outside of this report.

Compliance Statement: These products herein evaluated by Locke Bowden, P.E. have demonstrated compliance with the Florida Building Code 2017 6th ed., with referenced documents submitted.

Certificate of Independence

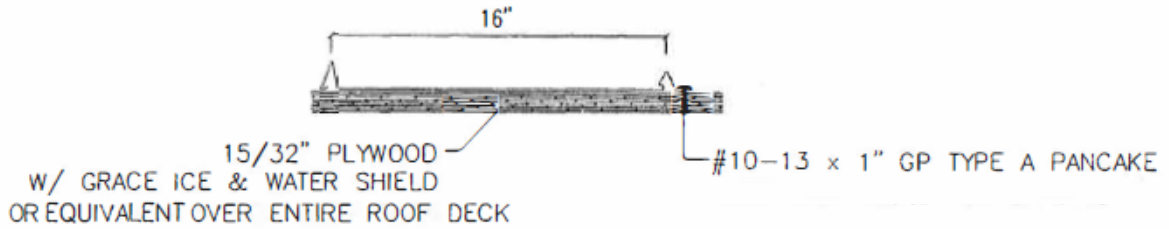
Locke Bowden, P.E. does not have, not will acquire a financial interest in any company manufacturing or distributing products under this evaluation.

Locke Bowden, P.E. is not owned, operated or controlled by any company manufacturing or distributing products under this report.

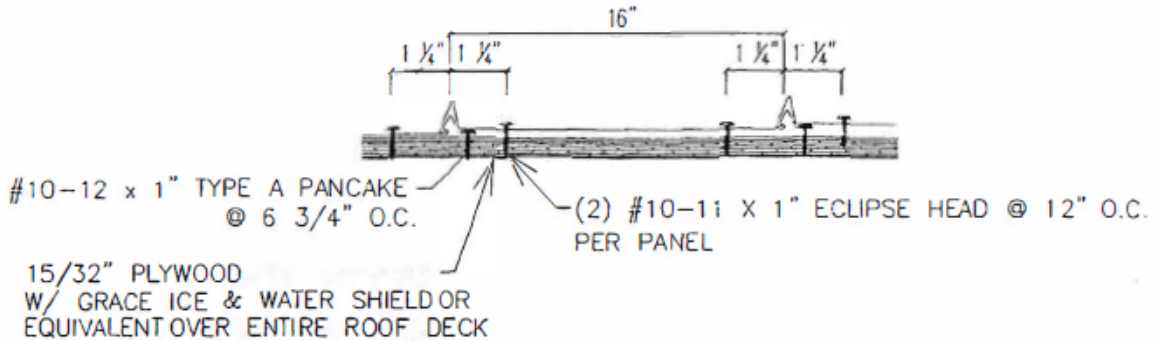


1.0 Nail Strip 24GA

TYPE 1 FASTENER PATTERN

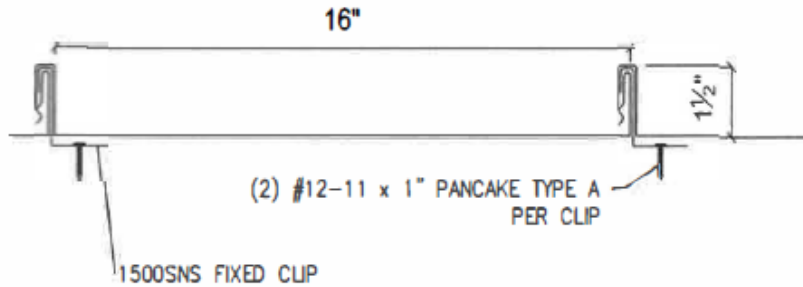


TYPE 2 FASTENER PATTERN

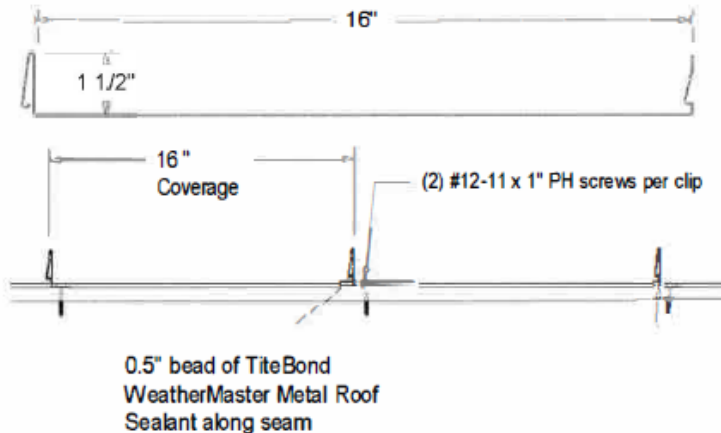


1.5 Snap Lock-HVHZ

12-11 Pancake Head fasteners, Two (2) fasteners per clip



.032 AL Snap Lock-Non-HVHZ



#12-11 Pancake Head Two (2) fasteners per clip

Clip: 18 GA SS 1.5" x3.5" @6"o.c.

18 GA SS 1.5" x3.5" @16"o.c.